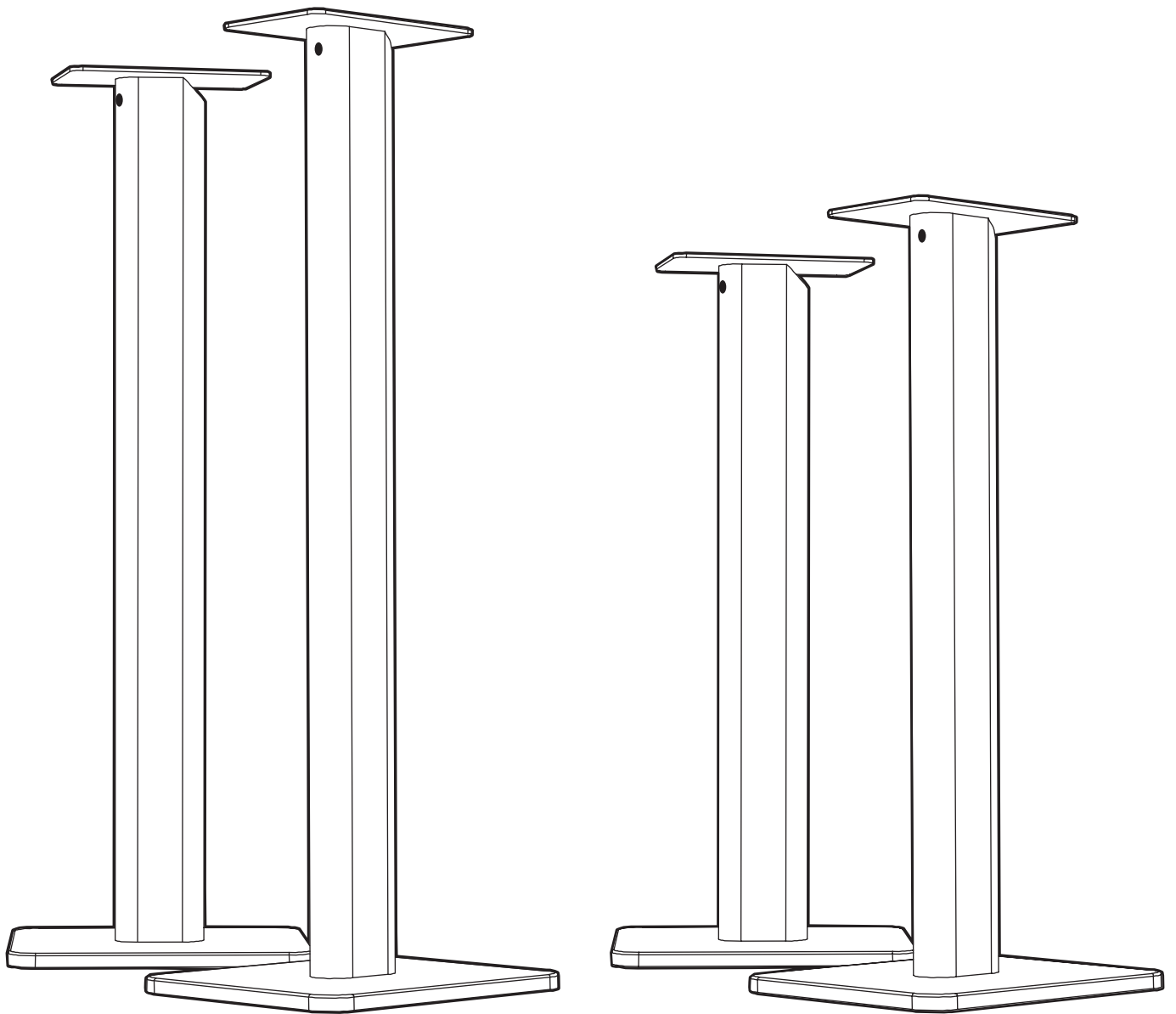




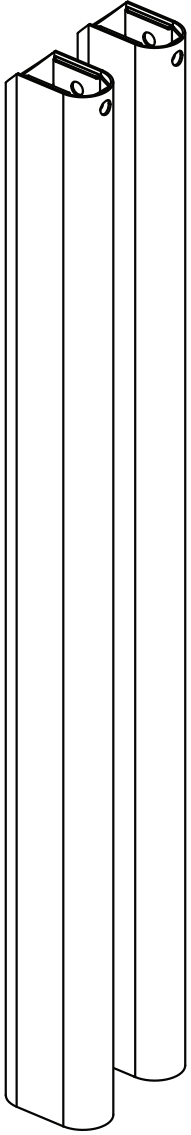
SP26PL / SP26PLW & SP32PL / SP32PLW



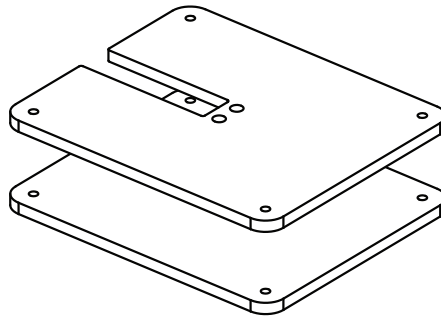
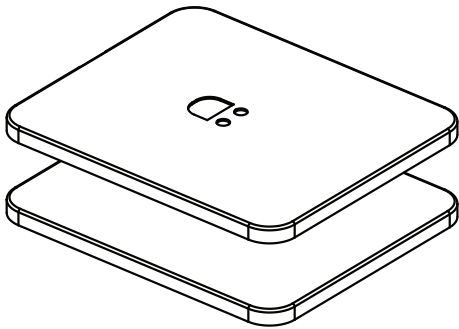
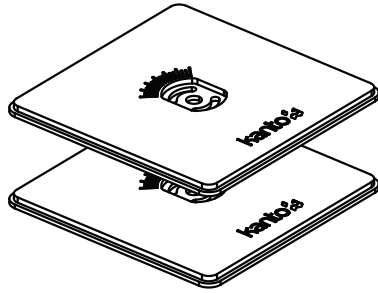
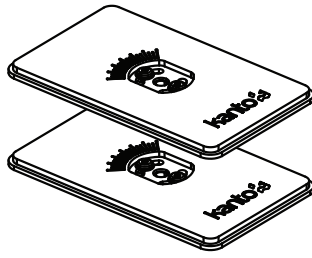
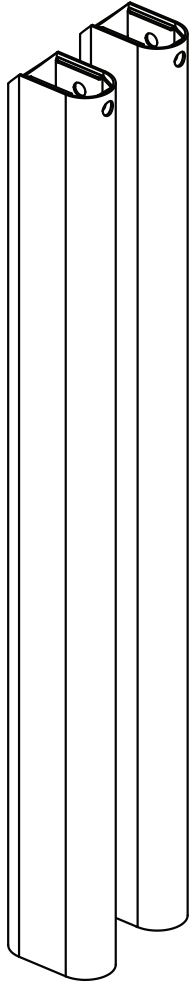
SPEAKER STANDS

# Supplied Parts and Hardware

SP32PL



SP26PL



**x2**

A: 1/4" x 3/8"



**x2**

B: 1/4" x 7/8"



**x2**

C: M6



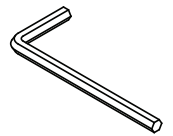
**x8**

D: M8

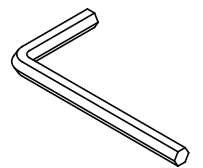


**x8**

E: M8

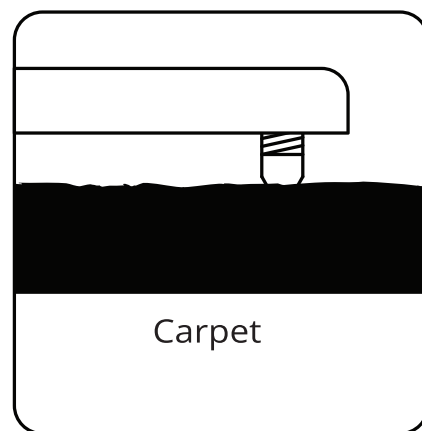
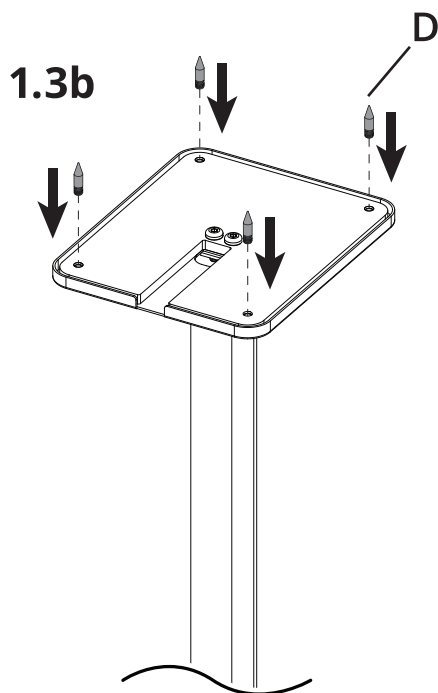
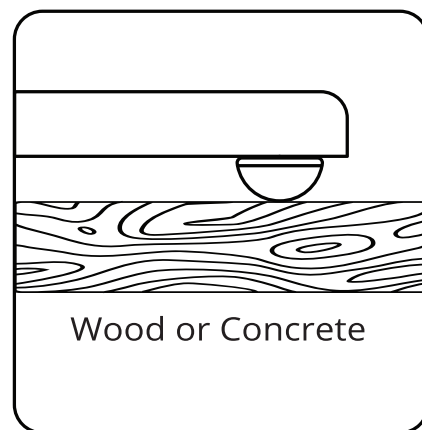
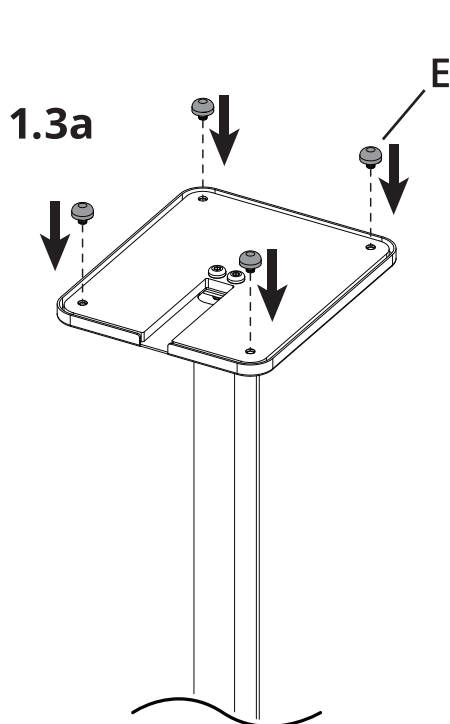
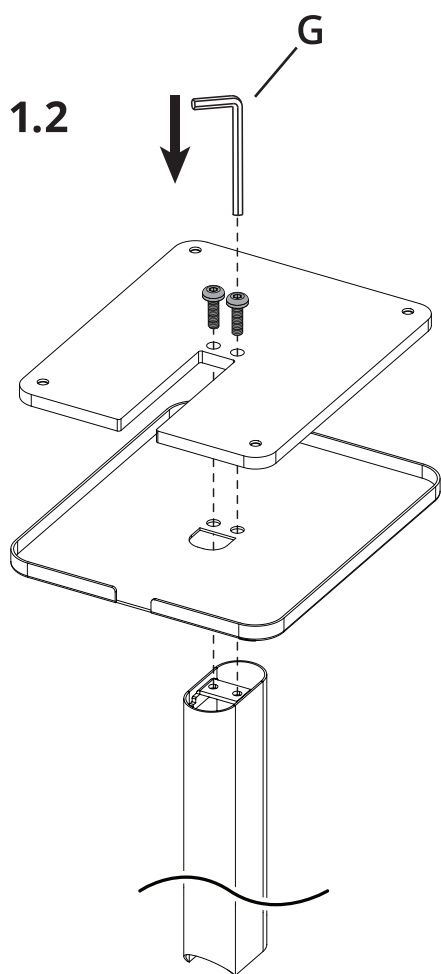
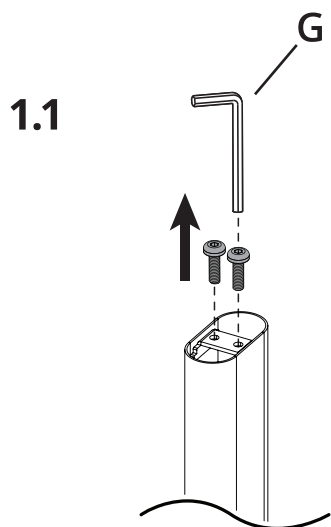


F: M3

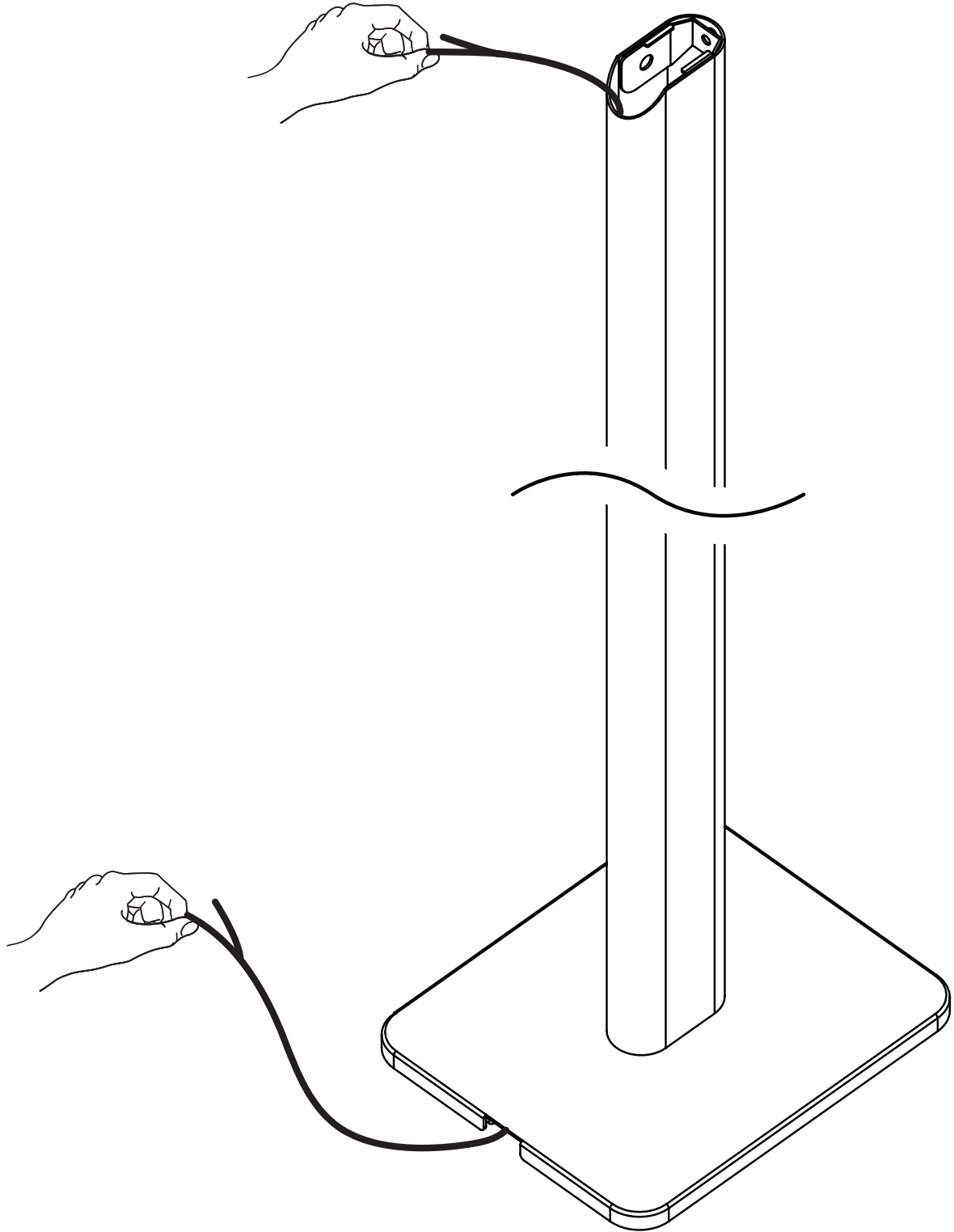


G: 3/16"

# 1. Assemble Base & Choose Feet

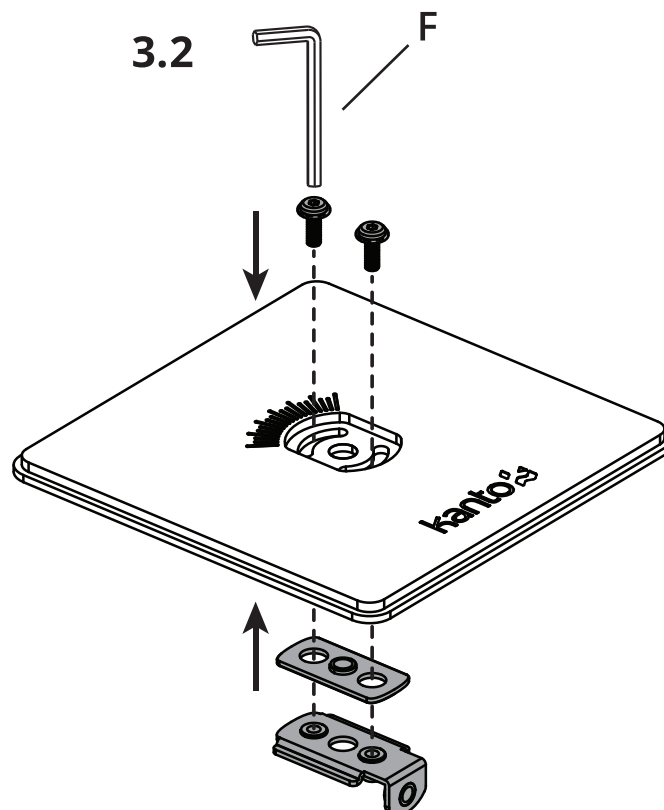
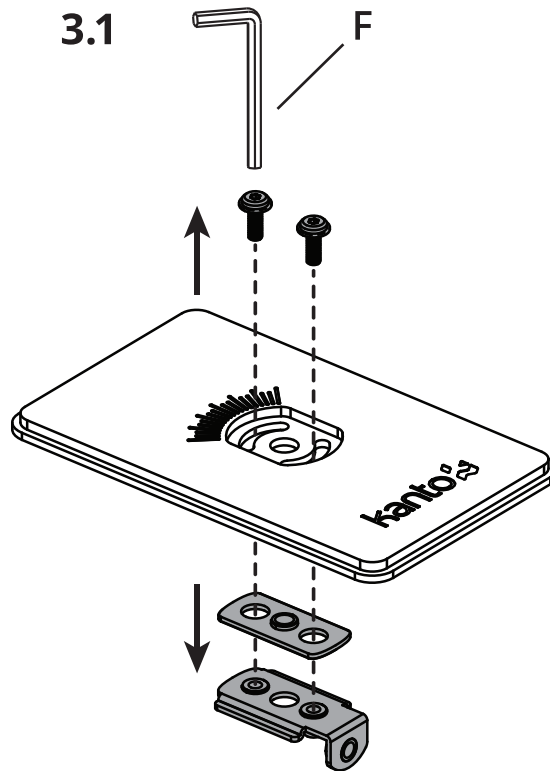


## 2. Insert Cables

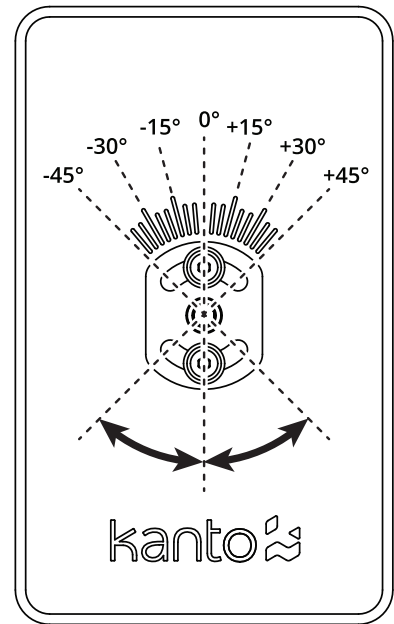
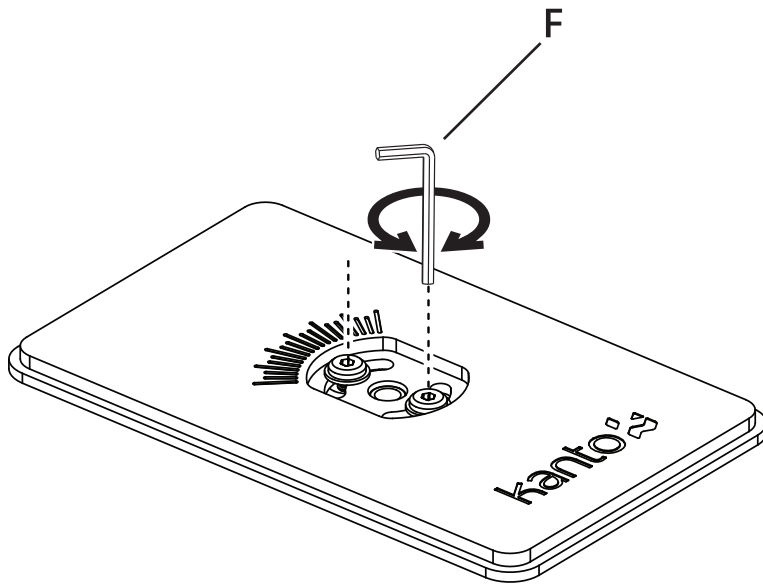


### 3. Change to Large Top Plate

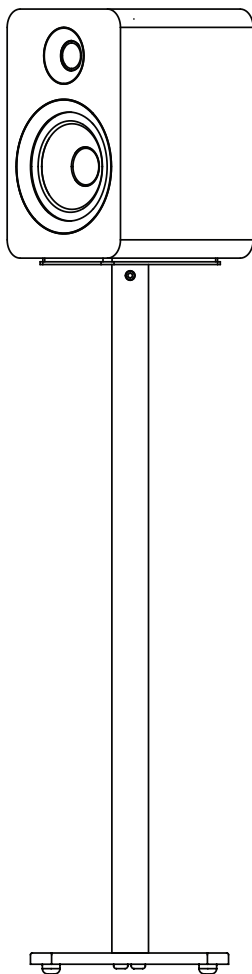
Optional step. You may wish to use the large top plate with large speakers.



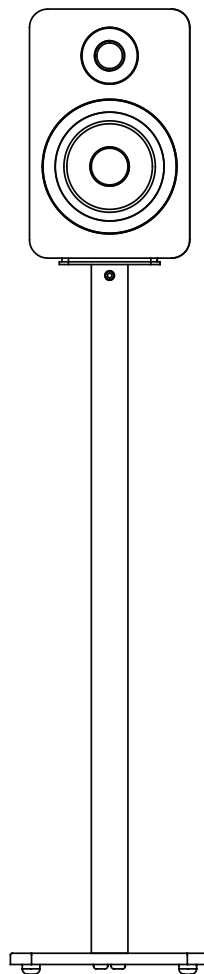
## 4. Adjust Top Plate Angle



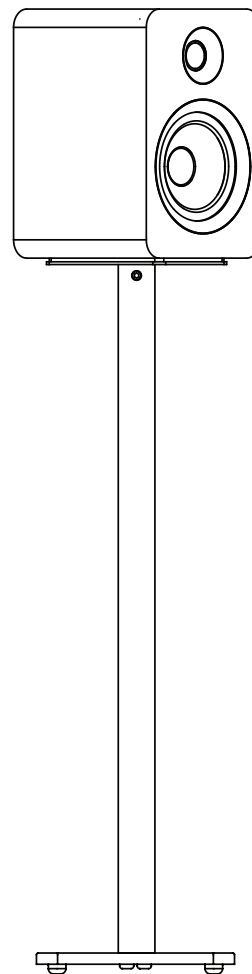
+45°



0°

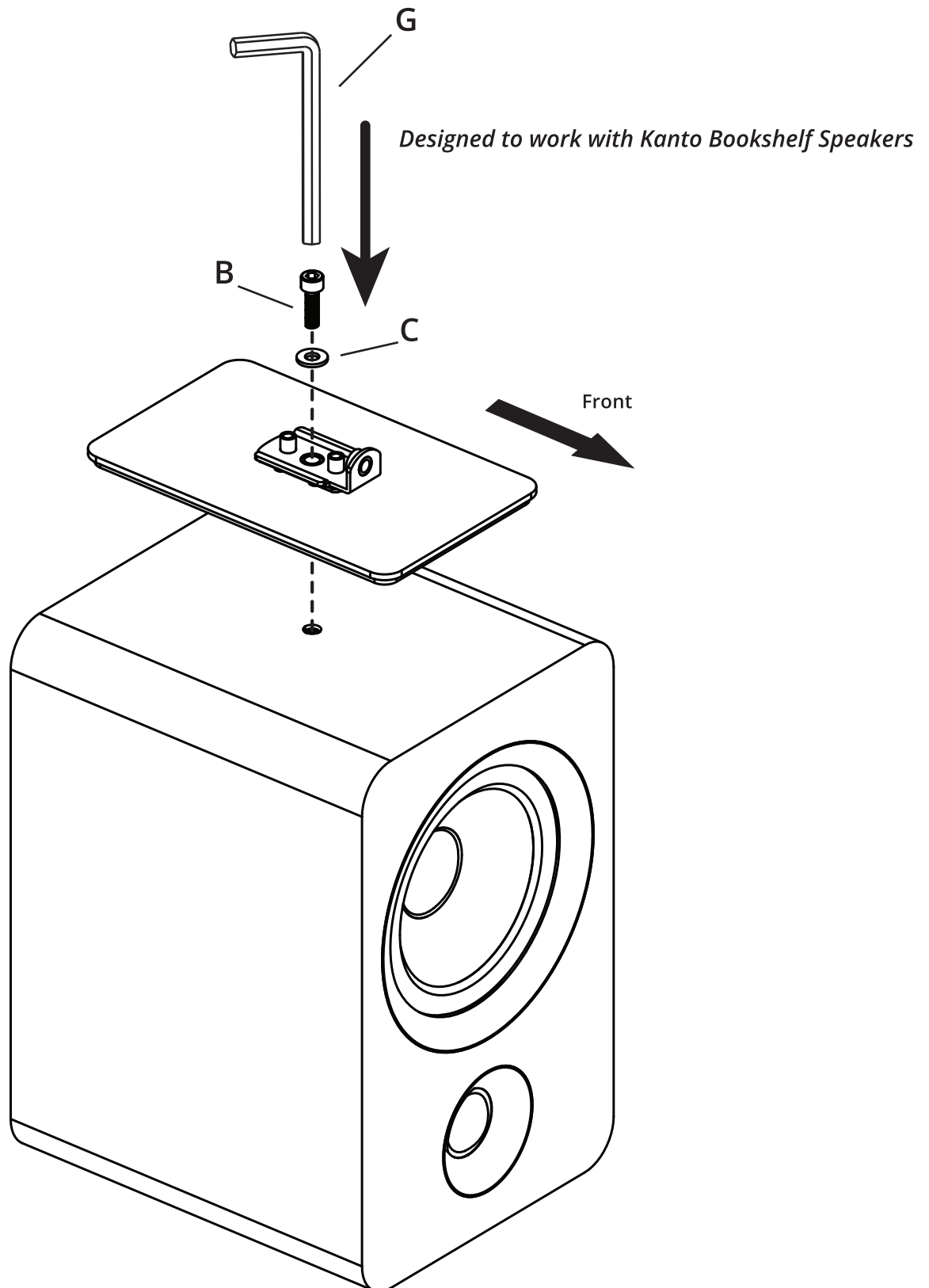


-45°



## 5. Mount Speaker

Optional step. Only for speakers with standard threaded speaker mount. Speaker not included.



## 6. Mount Top Plate

**NOTE**

Procedure is the same if you did not mount a speaker in step 5.

